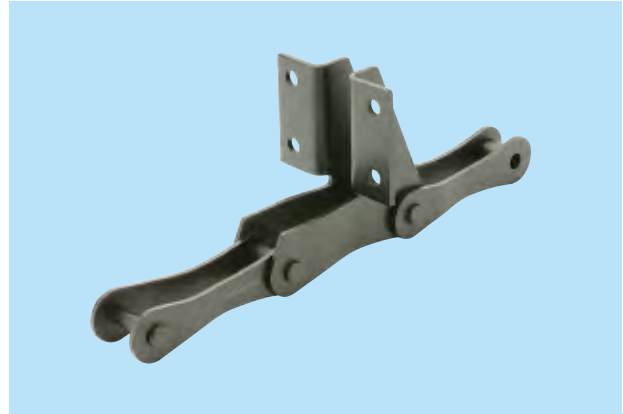


Class 400 Stainless Chain

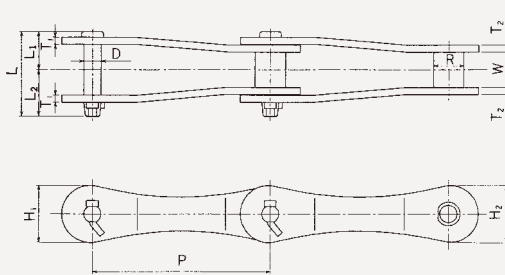
OSV Type Stainless Chain

These offset chains, developed from HSS type and SAV type stainless chains, have the following features:

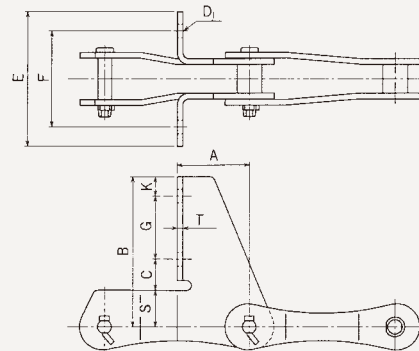
- As offset chains, they have superior wear resistance.
- They can be used with chain saver sprockets.
- Chains can be separated and joined in one link units.
- Compatible with HSS type and SAV type stainless chain.



OSV Type Stainless Chain



SF4 Attachment



OSV Type Stainless Chain

Chain No.	Pitch P (mm)	Bushing diameter R (mm)	Inner link inside width W (mm)	Pin			Pin link		Average tensile strength		Assured tensile strength		Weight (kg/m)	
				Diameter D (mm)	L (mm)	L ₁ (mm)	L ₂ (mm)	Height H ₁ (mm)	Thickness T ₁ (mm)	(kN)	(kgf)	(kN)		(kgf)
OSV15215-B	152.4	26	30	14.5	72	32.5	39.5	48	6	147	15000	137.3	14000	5.7
OSV15219-B	152.4	26	30	14.5	72	32.5	39.5	48	6	186	19000	171	17500	5.7

SF4 Attachment

Chain No.	Dimensions (mm)										Additional weight per piece (kg)	Comments
	A	B	C	D ₁	E	F	G	K	S	T		
OSV15215	76	155	32	14	140	100	65	20	38	6	1.3	Standard type*
	76	155	38	14	140	100	60	34.5	22.5	6	1.1	Equivalent to 720
	76	155	40	14	140	100	75	17.5	22.5	6	1.2	Equivalent to 730
	76	155	40	14	140	112	60	32.5	22.5	6	1.1	Equivalent to S730
OSV15219	76	155	32	14	140	100	65	20	38	6	1.3	Standard type*
	76	155	38	14	140	100	60	34.5	22.5	6	1.1	Equivalent to 720
	76	155	40	14	140	100	75	17.5	22.5	6	1.1	Equivalent to 730
	76	155	40	14	140	112	60	32.5	22.5	6	1.1	Equivalent to S730

*Standard type recommended