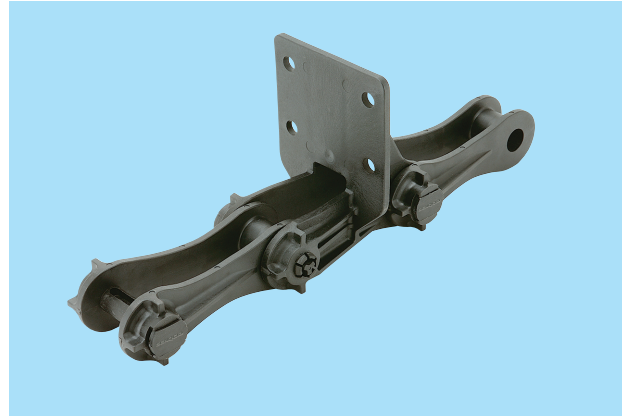


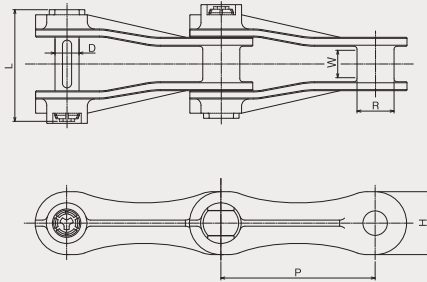
Plastic chain

HPS Type Plastic Chain

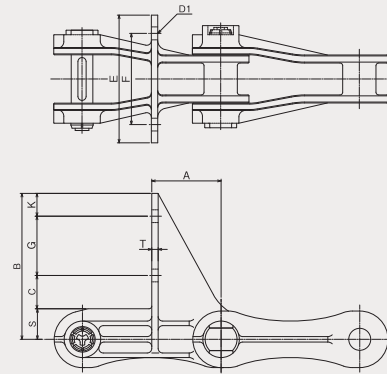
Based on a wealth of knowledge from conventional metal chains, HPS type plastic chain was developed using engineering plastic for exclusive use on sludge collectors. Compared with conventional metal chains, engineering plastic makes this product lightweight and offers superior corrosion resistance. It is also easy to handle. Used in combination with resin sprockets, wear resistance is even better.



HPS720S



SF4 Attachment



HPS Type Plastic Chain

Chain No.	Pitch P (mm)	Barrel diameter R (mm)	Sprocket tooth width W (mm)	Pin		Height H (mm)	Average tensile strength		Assured tensile strength		Weight (kg/m)
				Diameter D (mm)	Length L (mm)		(kN)	(kgf)	(kN)	(kgf)	
HPS720S	152.4	36.5	27	23.5	110	62	29.4	3000	24.5	2500	2.22

SF4 Attachment

Chain No.	Dimensions (mm)										Additional weight per piece (kg)
	A	B	C	D ₁	E	F	G	K	S	T	
HPS720S	76	160	36.5	14	140	100	65	25	33.5	7	0.28

Note: A pin extracting tool for plastic chains is also available.