

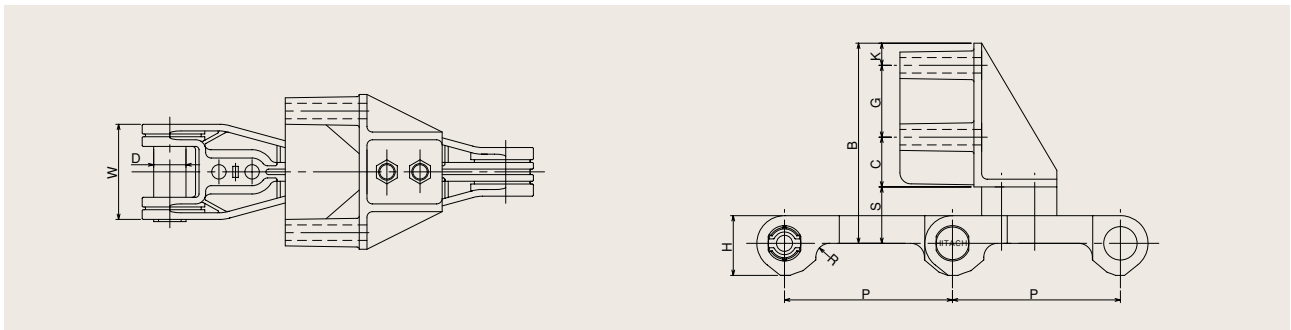
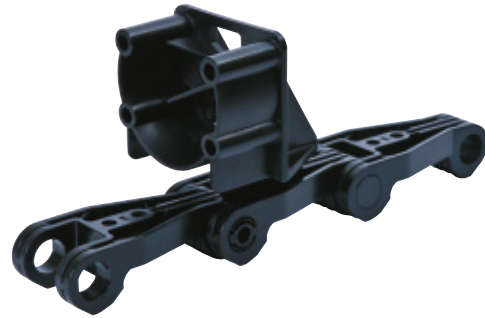
Chains for Water Treatment Systems

Hinotch Chain

Hinotch Chain is plastic sludge collector chain having higher wear resistance by spreading engaged points in design.

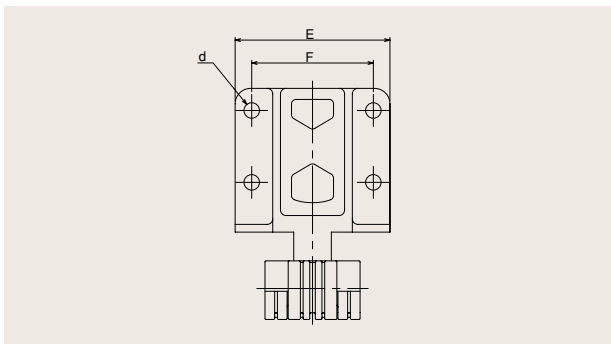
Features

- Longer life of Chain
- Easy change of Attachment location
- Improved stable operation
- Shoot Reverse trip is possible



HNP 730 Hinotch Chain

Chain No.	Pitch P (mm)	Notch Radius R	Edge of Notch W	Pin Dia. D	Link Plate Height H	Average Tensile Strength (kN)	Assured Tensile Strength (kN)	Mass (kg/m)
HNP730	152.4	12.5	86	29.2	54	29.4	24.5	2.5



Attachments (mm)

Chain No.	B	C	E	F	G	K	S	d	Added Mass (kg)
HNP730	181	45	140	110	65	20	51	14	0.84

※Attachment is assembled with bolts and nuts.

