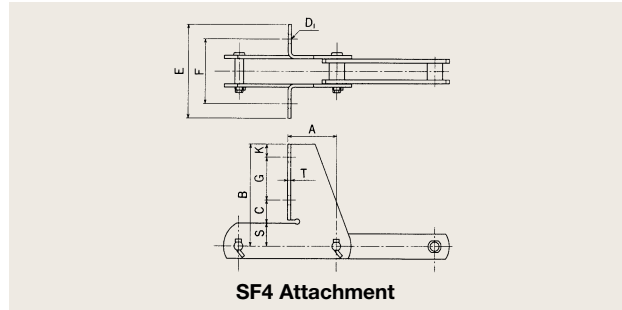
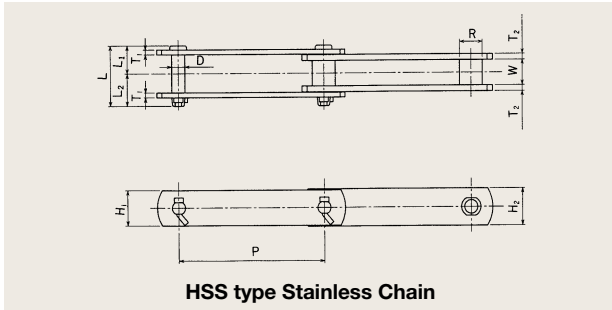


Chains for Water Treatment Systems

300 class Stainless Chains

These chains have even better corrosion resistance than 400 class stainless chains.

HSS type Stainless Chains (300 class Stainless)



HSS type Stainless Chain

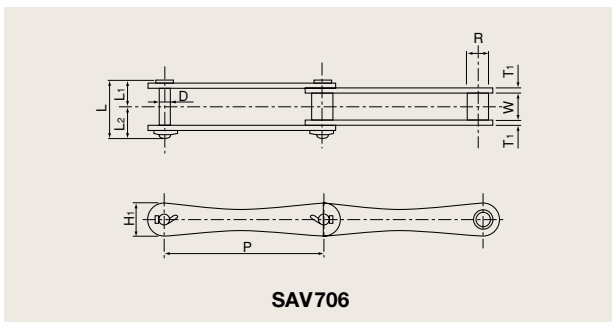
Chain No.	Pitch P (mm)	Bush Dia. R (mm)	Inner Width W (mm)	Pin			Pin Link		Bush Link		Average Tensile Strength		Assured Tensile Strength		Mass (kg/m)	
				Dia. D (mm)	L (mm)	L ₁ (mm)	L ₂ (mm)	Height H ₁ (mm)	Thickness T ₁ (mm)	Height H ₂ (mm)	Thickness T ₂ (mm)	(kN)	(kgf)	(kN)		(kgf)
HSS15210-B	152.4	24	26	13.5	62	28.8	33.2	36	5	38	6	103	10500	88	9000	4.7
HSS15213-B	152.4	26	30	14.5	72	32.5	39.5	38	6	44	6	127	13000	114	11700	5.7

SF4 Attachments

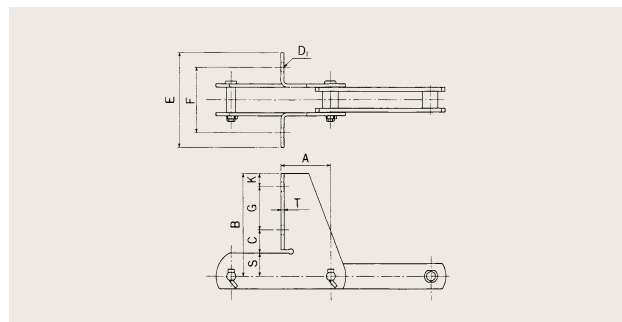
Chain No.	Dimensions (mm)										Added Mass per Attachment (kg)	Notes
	A	B	C	D ₁	E	F	G	K	S	T		
HSS15210	76	155	35	14	145	100	65	20	35	5	1.5	Standard type
	76	140	38	14	145	100	60	20	22	5	0.8	Equivalent to 720
	76	155	40	14	145	100	75	17.5	22.5	5	1.0	Equivalent to S730
HSS15213	76	155	32	14	140	100	65	20	38	6	1.6	Standard type
	76	140	38	14	140	100	60	20	22	6	1.1	Equivalent to 720
	76	155	40	14	140	100	75	17.5	22.5	6	1.2	Equivalent to 730
	76	142.5	40	14	150	112	60	20	22.5	6	1.1	Equivalent to S730

SAV type Stainless Chains (300 class Stainless)

SAV type Stainless Chains



SF4 Attachment



SAV type Stainless Chains

Chain No.	Pitch P (mm)	Bush Dia. R (mm)	Inner Width W (mm)	Pin			Pin Link		Bush Link		Average Tensile Strength		Assured Tensile Strength		Mass (kg/m)	
				Dia. D (mm)	L (mm)	L ₁ (mm)	L ₂ (mm)	Height H ₁ (mm)	Thickness T ₁ (mm)	Height H ₂ (mm)	Thickness T ₂ (mm)	(kN)	(kgf)	(kN)		(kgf)
SAV706	152.4	22.2	27.4	11.6	55	25.2	29.8	31	4	31	4	58.8	6000	52.9	5400	2.5

SF4 Attachments

Chain No.	Dimensions (mm)										Added Mass per Attachment (kg)	Notes
	A	B	C	D ₁	E	F	G	K	S	T		
SAV706	76	155	32	14	140	100	65	20	38	4	1.0	Standard type
	76	155	40	14	140	100	75	17.5	22.5	4	1.0	Equivalent to 730