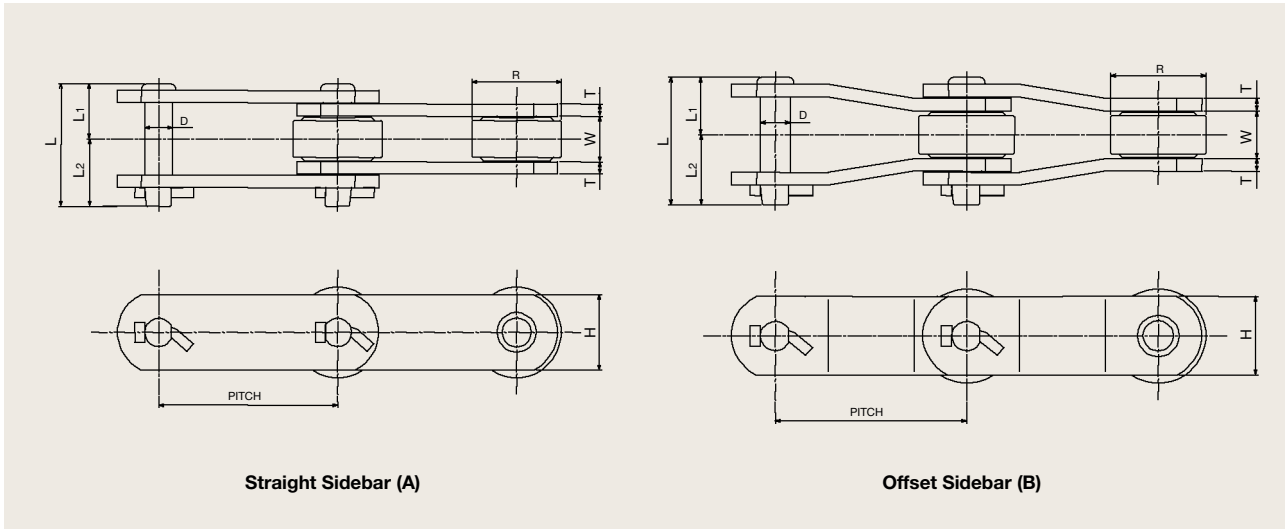


Chains for Sugar Industry

Roller Carrier Chains

Used for feeder tables, bagasse carriers and scratchers.



Straight Sidebar (A)

Offset Sidebar (B)

Chain No.	Type	Pitch P (mm)	Roller Dia. R (mm)	Inner Width W (mm)	Pin			Link Plate		Average Tensile Strength (kgf)	Mass/m (kg/m)	
					Dia. D (mm)	Length		Height H (mm)	Thickness T (mm)			
						L (mm)	L ₁ (mm)					L ₂ (mm)
SS1113	B	102.6	50.8	37.5	17.5	83	38	45	38.1	6.3	9500	13.2
SS1124	B	101.6	50.8	32	12.8	80.6	37.8	42.8	38.1	7.9	8500	17.5
SS1125	B	101.6	50.8	32.6	17.4	83	38	45	44.5	7.9	15500	14.3
SS1114	A	152.4	50.8	32.5	15.88	81.7	38.5	43.2	38.1	7.9	12700	11.8
SS1130	B	152.4	63.5	37.6	18.9	82	38.5	43.5	50.8	6.3	15400	13.7
SS1796 Hyper	AB	152.4	76.2	38.2	22.25	101	45	56	57.2	9.5	48000	25.7
SS2184 Hyper	B	152.4	76.2	34.9	22.2	97	44	53	50.8	9.5	37000	20
SS960	A	152.4	70	38.1	22.22	118.3	54.8	63.5	57.2	14	43000	26
SS996	A	152.4	69.9	38.1	18.9	97.1	44.8	52.3	50.8	9.5	32000	17.9
SS800	AB	203.2	89	46.1	25.4	125	60	65	76.2	12.7	76000	29
HR22840	B	228.6	90	37.1	25.4	101.5	46.5	88	63.5	9.5	40000	22.2
0904	A	101.6	50.8	29.4	17.44	79	36.2	42.8	44.5	7.9	18150	12.5
09060	AB	152.4	69.9	38.2	18.9	98	45	53	50.8	9.5	31000	17.5
09061	AB	152.4	69.9	37.1	18.94	97.1	44.4	52.7	57.2	9.5	38600	20
09063	A	152.4	76.2	38.2	23.8	103	46.5	56.5	63.5	10.3	63500	24.3

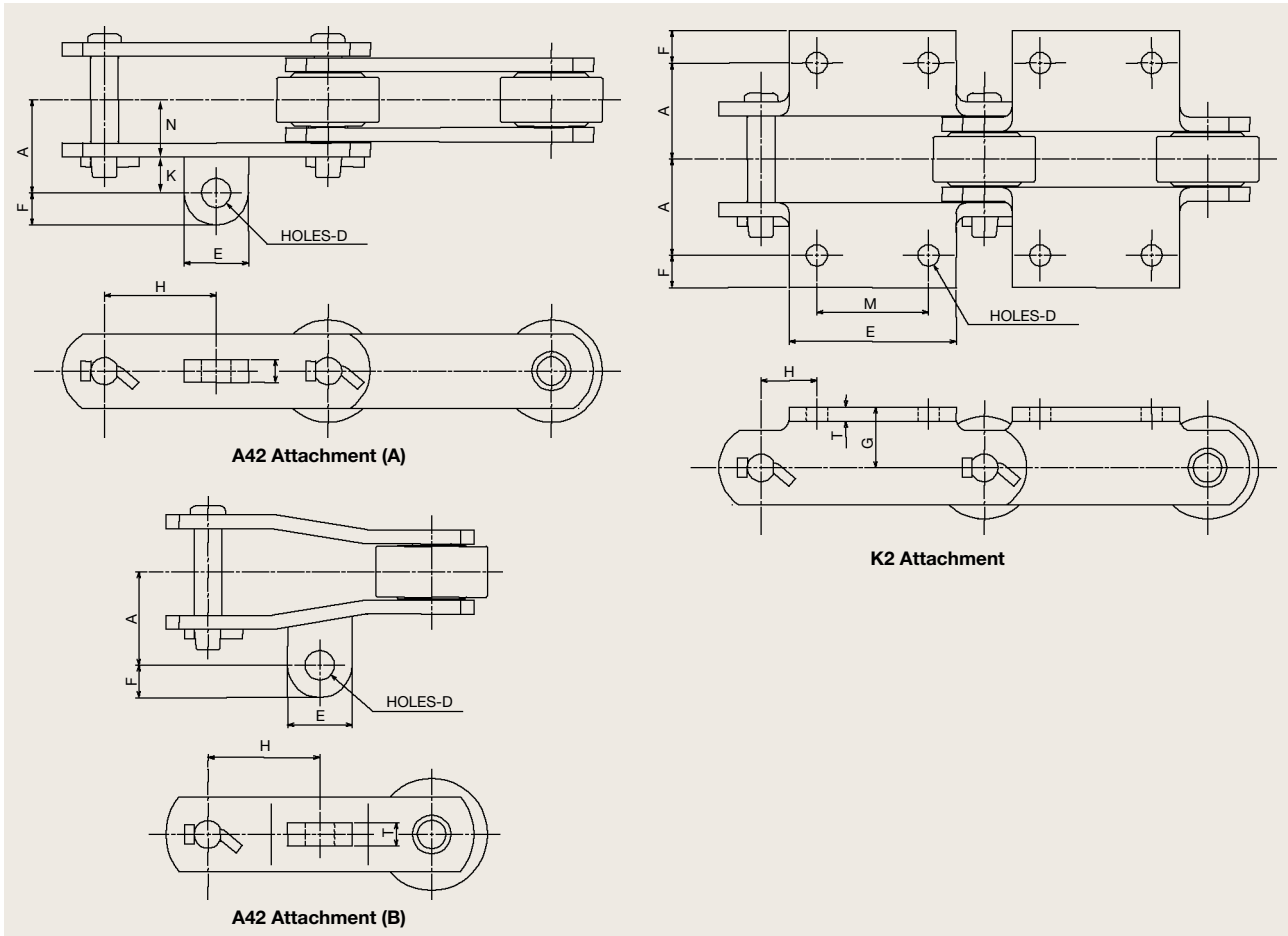
A: Straight Sidebar Type

B: Offset Sidebar Type

Roller dia.: Other dia. Available on request

Standard Attachments

A range of chains are available, with Standard Attachments, For Use on main and auxiliary cane feeder conveyors and bagasse elevator conveyors.

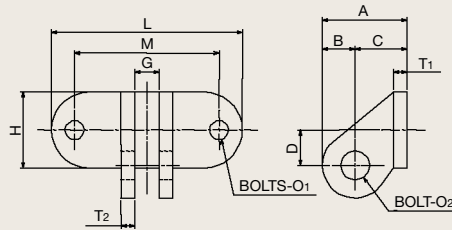


Attachment No.	Chain No.	Dimensions (mm)										Mass	
		A	D	E	F	G	H	K	M	N	T	kg/m	kg/pc
K2	SS1796	55.5	12.5	110	19.5	41.3			76.2			25	
	SS800	66	17.5	165	25.5	55.5			114.5			45.5	
	SS960	55.7	14.3	111	20.6	41.3			76.2			27.2	
	SS996	55.55	14.5	136	31.45	41.3			76.2			24.9	
	09060	55.55	14.5	114	31.95	41.3			76.2			23.8	
	09061	55.55	14.5	113	32.45	41.3			76.2			25.6	
	09063	55.55	12.7	114	29.45	44.5			76.2			28.7	
A42(B)	SS1113	60.3	16.8	49.5	20		50.3				13.5		0.22
	SS1124	50.8	11	35	17.5		50.8				10.3		0.1
	SS1125	54	16.7	42	18.3		50.8				12.7		0.15
	SS1130	61.9	17.5	55	27.8		76.2				15		0.34
	SS1796	63.5	20	44	20		76.2				15.5		0.18
	SS2184	66.7	17	55	25.4		76.2				15		0.32
	SS800	81.7	17	68	25.4		101.6				15.5		0.39
	09063	70	17	50	25		76.2				14.3		0.29
HR22840	80	21	100	25		95				19		0.63	
A42(A)	SS1114	60.3	17	48	23		76.2	59.15		24.15	14		0.26
	SS1796	63.5	20	44	20		75.9	24.5		39	15.5		0.19
	09060	63.5	20	44	20		76.2	35.45		28.05	15.5		0.24
	09061	63.5	20	44	20		75.9	25.15		38.35	15.5		0.18
	09063	63.5	20	44	20		76.2	34.1		29.4	15.5		0.2

Chains for Sugar Industry

Flight Wing

These are used with A42 attachment (mainly for bagasse carrier)

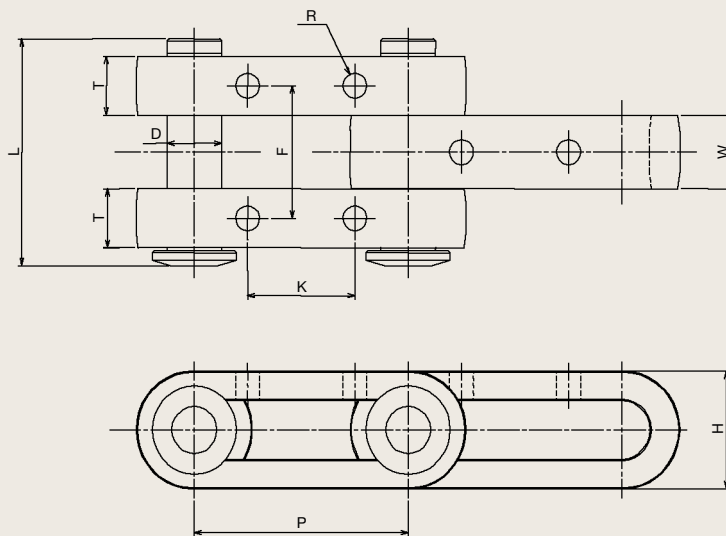


Flight Wing

Attachment No.	Dimensions (mm)												Mass (kg/pc)
	A	B	C	D	G	H	L	M	O ₁	O ₂	T ₁	T ₂	
0C	49.1	19	30.1	20.6	14.3	44.5	111	84.1	11.1	16.7	7.9	7.9	0.44
1C	64.7	25	39.7	25.4	14.4	50.8	127	88.9	15	16	9.5	9.5	0.62
2C	92.1	25.4	66.7	25.4	15.9	50.8	127	88.9	14	16	7.9	9.5	0.91
5C	56	21	35	20.6	14.5	50.8	120.6	69.9	14.3	16	7.9	10.25	0.58
17C	50	15	35	27.8	11.1	48	111	76.2	15	11	7.9	7.9	0.38

Link Chains

Used for main and auxiliary cane carrier



Chain No.	Average Pitch	Average Tensile Strength	Dimensions (mm)								Average Mass (kg/m)
			Overall Width A	Pin Dia. D ₁	Width of Inner Link W	Width of Outer Link T	Height H	Hole Pitch (A) F	Hole Pitch (B) K	Hole Dia. R	
P=152.4	152.4	34000	152.4	30	45	45	60	93	64	13	24.4
P=152.4	153.2	63000	152.4	39	50	40	80	90	76.4	17	43.8
P=228.6	228.6	71400	154.2	39	50	40	80	90	95	17	36.5