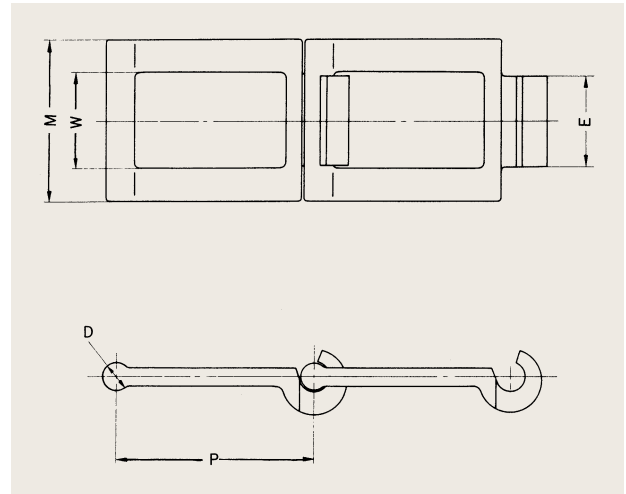


Steel Detachable Chains

It is easy to attach and detach these chains, and their structure is simple. Made of steel, they are also stronger than cast chains. They are used in hay conveyors and other agricultural machinery.



Chain No.	Pitch P (mm)	Dimensions (mm)				Average Tensile Strength		Mass (kg/m)
		D	E	M	W	(kN)	(kgf)	
55	41.66	6.5	18	37	20	24.5	2500	1.2
57	58.93	8.0	26	48	28	39.2	4000	1.7
78	66.27	10.7	36	66	38	68.6	7000	4.1