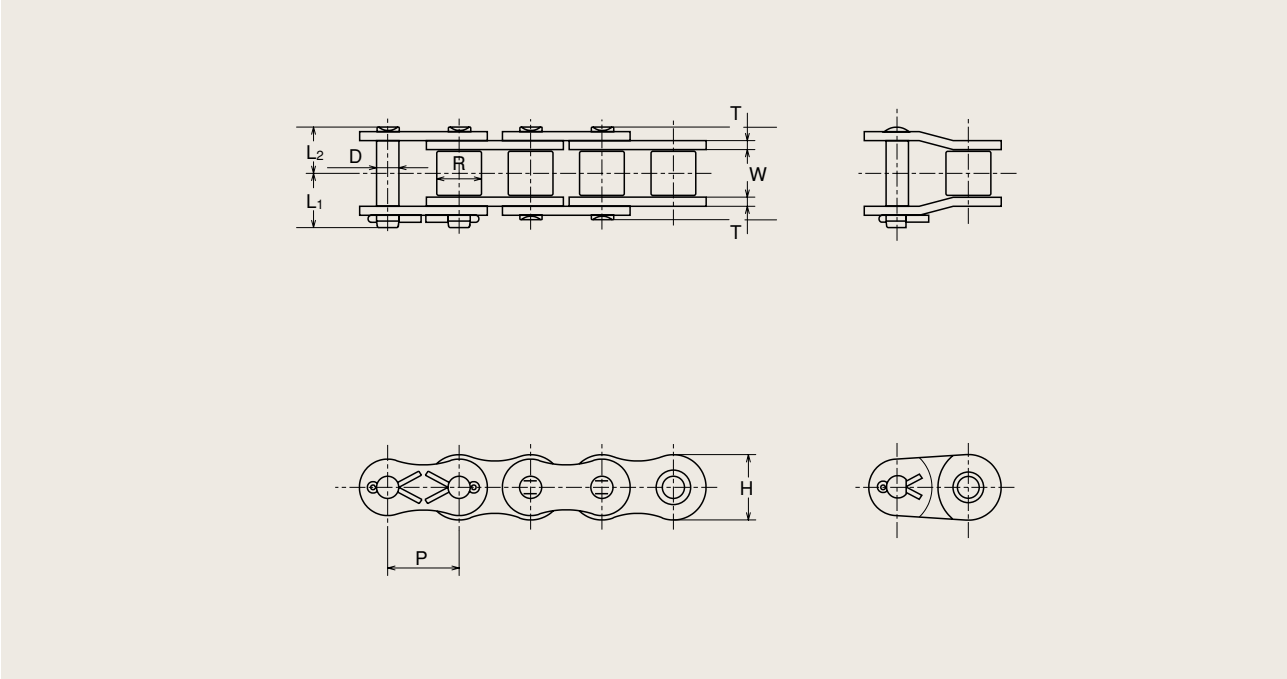


## Stainless Steel Roller Chains with Attachments

These chains are 304 stainless steel roller chains with attachments added as necessary.

### Dimensions of Stainless Steel Roller Chains



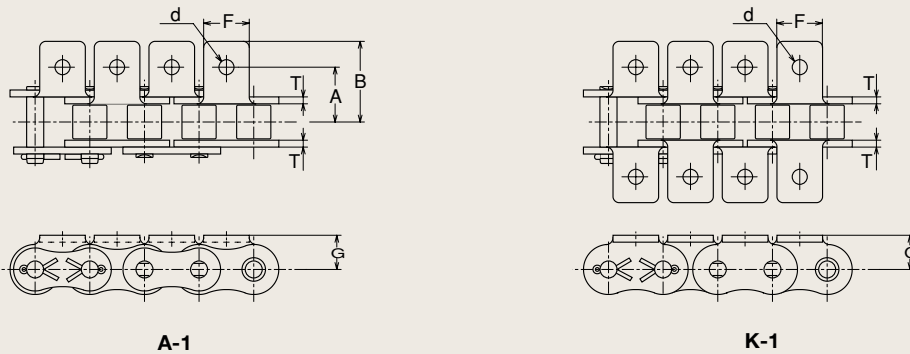
Chain No.	Pitch P (mm)	Roller Outer Dia. R (mm)	Inner Width W (mm)	Pin			Link Plate		Maximum Allowable Load		Mass (kg/m)
				Dia. D (mm)	Length L <sub>1</sub> (mm)	Length L <sub>2</sub> (mm)	Height H (mm)	Thickness T (mm)	(kN)	(kgf)	
※35SS	9.525	5.08	4.78	3.58	7.6	6.1	9.0	1.25	0.26	25	0.34
40SS	12.70	7.92	7.95	3.96	10.0	8.5	11.7	1.5	0.44	45	0.60
50SS	15.875	10.16	9.53	5.08	11.9	10.4	14.6	2.0	0.68	70	0.98
60SS	19.05	11.91	12.7	5.95	14.9	13.0	17.5	2.4	1.03	110	1.46
80SS	25.40	15.88	15.88	7.93	19.1	16.4	23.4	3.2	1.77	175	2.52
100SS	31.75	19.05	19.05	9.53	23.3	20.0	29.3	4.0	2.55	270	3.91
120SS	38.10	22.23	25.4	11.10	29.0	25.2	35.1	4.8	3.92	390	5.76
140SS	44.45	25.4	25.4	12.70	31.3	27.0	40.9	5.6	4.66	480	7.41
160SS	50.80	28.58	31.75	14.28	36.5	32.2	46.7	6.4	6.37	650	9.79

※Chain is rollerless, R shows bushing dia.

# Steel Conveyor Chains

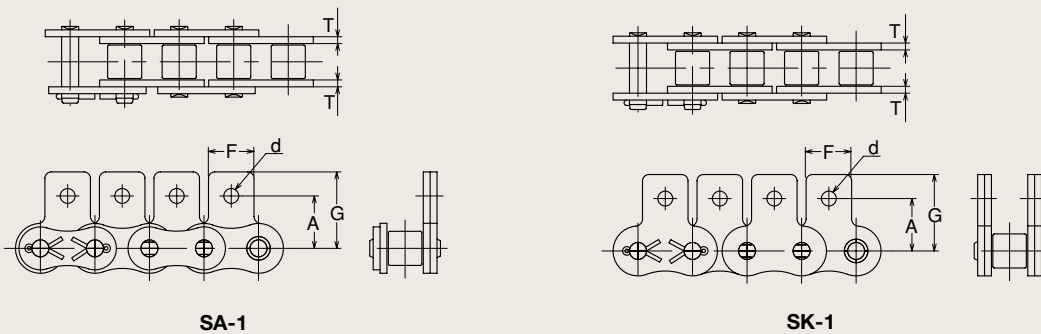
## Attachment types and Dimensions

### A-1, K-1 Attachment



Chain No.	Dimensions (mm)						Added Mass per Attachment (g)	
	A	B	d	F	G	T	A-1	K-1
35SS	9.5	14.5	3.4	7.9	6.4	1.25	0.9	1.8
40SS	12.7	17.5	3.6	9.5	8.0	1.5	1.3	2.6
50SS	15.9	23.5	5.2	12.7	10.3	2.0	3.2	6.4
60SS	19.1	28.2	5.2	15.9	11.9	2.4	5.9	11.8
80SS	25.4	36.0	6.8	19.1	15.9	3.2	13.5	27.0
100SS	31.8	44.5	8.8	25.2	19.8	4.0	19.5	39.0
120SS	38.1	55.0	10.5	28.3	23.0	4.8	31.0	62.0
140SS	44.5	63.5	12.0	34.9	28.6	5.6	65.0	130.0
160SS	50.8	72.8	14.0	38.1	31.8	6.4	88.0	176.0

### SA-1, SK-1 Attachment



Chain No.	Dimensions (mm)					Added Mass per Attachment (g)	
	A	d	F	G	T	SA-1	SK-1
35SS	9.5	3.4	7.9	14.7	1.25	0.9	1.8
40SS	12.7	3.6	9.5	18.8	1.5	1.3	2.6
50SS	15.9	5.2	12.7	23.0	2.0	3.2	6.4
60SS	18.3	5.2	15.9	26.7	2.4	5.9	11.8
80SS	24.6	6.8	19.1	34.5	3.2	13.5	27.0
100SS	31.8	8.8	25.2	43.0	4.0	19.5	39.0
120SS	36.5	10.5	28.3	51.4	4.8	31.0	62.0
140SS	45.6	12.0	34.9	63.4	5.6	65.0	130.0
160SS	51.2	14.0	38.1	70.4	6.4	88.0	176.0

## Double Pitch Roller Chains for Conveyor Use

These chains use straight link plates. They are divided into the large roller series and the small roller series, according to the outer diameter of the rollers used.

### Small Roller series

(S Roller type)

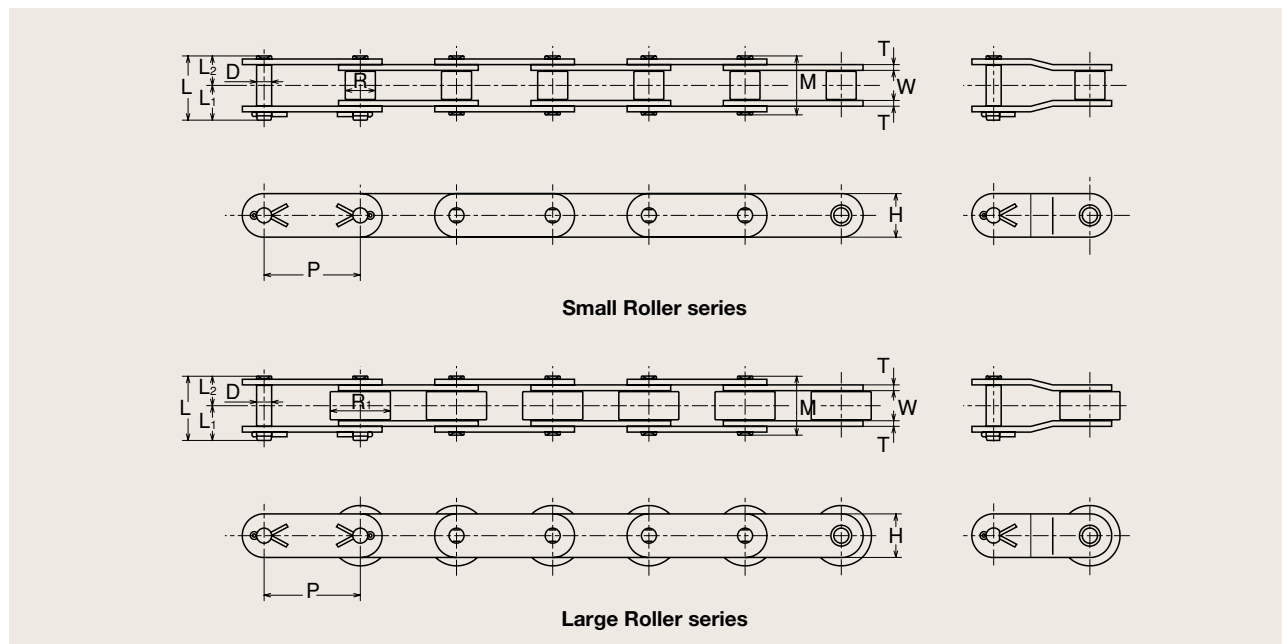
- Indicated by a "0" as the last digit of the chain number.
- The outer diameter of the roller is the same as for the standard roller chain on which it is based.  
Ex.: The outer roller diameter for the C2040 is the same as that of the No.40 standard roller chain.
- Standard sprockets can be used if they have at least 30 teeth.  
Ex.: The C2040 32-tooth sprocket (16 working teeth) can be used with the No.40 32-tooth standard sprocket.

### Large Roller series

(R Roller type)

- Indicated by a "2" as the last digit of the chain number.
- The outer diameter of the roller is the same as for the standard roller chain which has the same pitch as the double pitch roller chain.  
Ex.: The roller outer diameter of the C2042 is the same as that of the N0.80 standard roller chain, because the chain pitch is 25.4mm (the roller outer diameter is 15.88mm).
- Use specialized sprockets.

## Dimensions of Double Pitch Roller Chains for Conveyor Use



Chain No.	Pitch P (mm)	Roller		Inner Width W (mm)	Pin Dia. D (mm)	Pin Length (mm)				Link Plate		Average Tensile Strength		Maximum Allowable Load		Mass (kg/m)
		R	R <sub>1</sub>			M	L	L <sub>1</sub>	L <sub>2</sub>	Height H (mm)	Thickness T (mm)	(kN)	(kgf)	(kN)	(kgf)	
C2040	25.4	7.92	—	7.95	3.96	16.5	18.5	10.3	8.2	11.4	1.5	16.9	1700	3.63	270	0.48
C2042		—	15.88													
C2050	31.75	10.16	—	9.53	5.08	20.4	22.0	11.8	10.2	15.0	2.0	27.5	2800	6.28	440	0.82
C2052		—	19.05													
C2060H	38.1	11.91	—	12.70	5.95	28.7	31.0	16.6	14.4	17.0	3.2	40.2	4100	8.63	640	1.38
C2062H		—	22.23													
C2080H	50.8	15.88	—	15.88	7.93	35.5	38.8	21.0	17.8	22.6	4.0	68.6	7000	14.7	1090	2.32
C2082H		—	28.58													
C2100H	63.5	19.05	—	19.05	9.53	42.2	45.7	24.6	21.1	28.6	4.8	107.9	11000	22.6	1740	3.46
C2102H		—	39.67													
C2120H	76.2	22.23	—	25.40	11.10	52.6	57.0	30.7	26.3	34.9	5.6	151	15400	30.4	2440	4.92
C2122H		—	44.45													
C2160H	101.6	28.58	—	31.75	14.28	67.7	72.9	39.0	33.9	47.6	7.2	257.9	26300	53.0	4170	8.02
C2162H		—	57.15													

Note: Rivet pins are standard, but cotter pins may also be used.