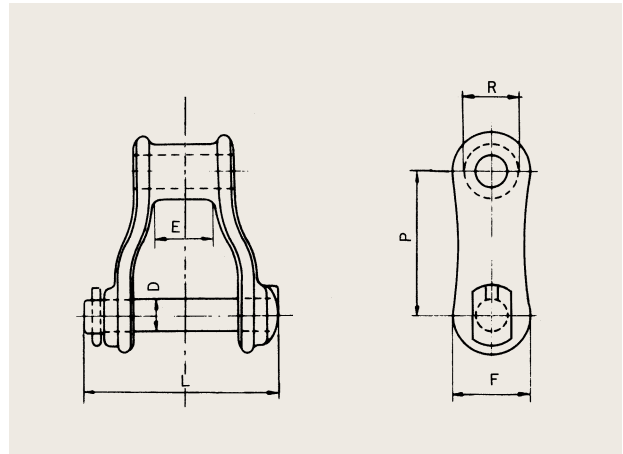


Cast Chains

400 class Pintle Chains

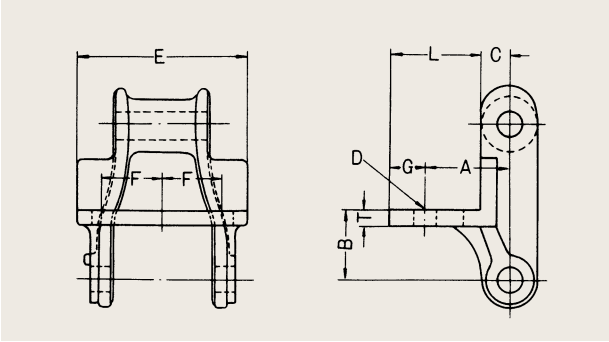
The barrel and link are a single casting, and the chain is assembled by inserting carbon steel pins. The increased strength, relative to detachable chains, allows a wider range of applications.

Standard pintle chains are also called 400 class pintle chains, and have the same pitch dimensions as detachable chains, so they can be used with the same sprockets. However, No.477 is used with No.67.



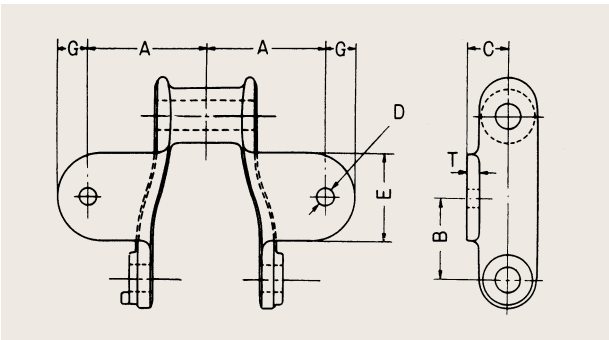
Chain No.	Pitch P		Dimensions (mm)					No. of Links in one Length	Average Tensile Strength		Maximum Allowable Strength		Mass (kg)	
	(mm)	(in)	L	D	R	E	F		(kN)	(kgf)	(kN)	(kgf)	1 Length	1 m
455	41.40	1.630	56.5	9.5	15.9	18	21.4	74	32.4	3300	4.70	480	8.79	2.93
477	58.62	2.308	59.0	11.1	20.6	18	25.4	52	42.7	4350	6.22	635	11.16	3.72
488	66.27	2.609	74.5	11.1	22.2	24	23.8	46	61.3	6250	10.0	1020	13.32	4.44
4103	78.11	3.075	90.5	19.0	31.0	28	38.1	39	122.6	12500	19.6	2000	26.32	8.77
4124	103.20	4.063	116.0	20.6	43.7	32	44.5	30	147.1	15000	20.2	2070	42.90	14.30

F-2 Attachments



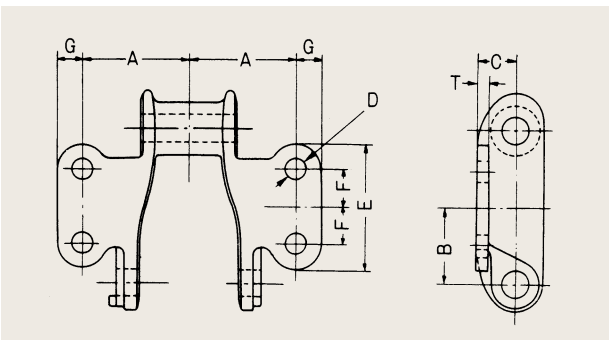
Chain No.	Dimensions (mm)										Mass (kg)	
	A	B	C	D	E	F	G	L	T	1 Length	1 m	
488	35.0	30.0	11.9	9.5	73.0	25.8	15.0	38.1	7.0	22.62	7.54	
4103	50.8	31.8	19.1	11.0	76.2	28.2	16.7	48.4	7.9	39.50	13.17	

K-1 Attachments



Chain No.	Dimensions (mm)								Mass (kg)	
	A	B	C	D	E	G	T	1 Length	1 m	
455	25.4	20.6	11.1	7.0	20.6	11.1	4.0	11.16	3.72	
477	38.1	29.4	16.7	8.0	34.9	11.9	4.0	14.84	4.95	
488	48.5	33.3	16.7	9.0	34.9	12.0	4.8	18.25	6.08	
4103	53.2	38.1	20.6	11.0	35.0	15.9	5.6	32.64	10.88	
4124	76.2	51.6	25.4	18.0	63.5	25.4	7.9	54.00	18.00	

K-2 Attachments



Chain No.	Dimensions (mm)									Mass (kg)	
	A	B	C	D	E	F	G	T	1 Length	1 m	
488	46.0	32.5	16.7	9.5	54.0	16.0	11.1	4.8	19.65	6.55	
4103	52.4	38.9	21.4	14.0	66.7	19.1	14.3	7.9	36.36	12.12	
4124	63.5	48.0	30.0	11.0	79.0	23.0	15.8	7.0	55.80	18.60	