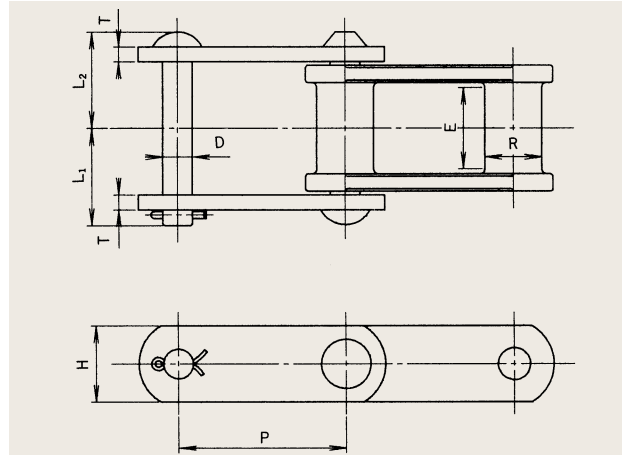
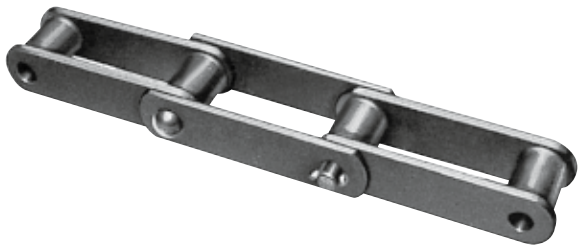


Cast Chains

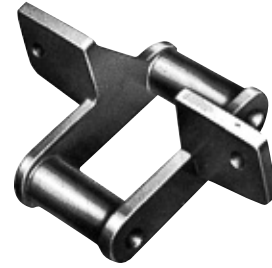
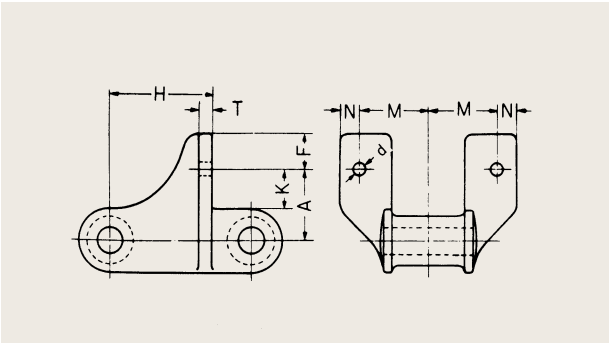
Combination Chains

Combination chains are comprised of cast blocks and steel plate links, and are used in a wide variety of applications.



Chain No.	Pitch P		Dimensions (mm)							No. of Links in one Length	Average Tensile Strength		Maximum Allowable Strength		Mass (kg)	
	(mm)	(in)	L ₁	L ₂	D	R	E	H	T		(kN)	(kgf)	(kN)	(kgf)	1 Length	1 m
C102B	101.60	4.000	57.8	52.2	15.9	25.4	43	38.0	9.5	30	107	10890	17.7	1810	29.1	9.7
C102½	102.62	4.040	59.5	58.5	19.0	35.0	48	44.5	9.5	30	160	16330	24.7	2520	41.4	13.8
C110	152.40	6.000	58.0	54.0	16.0	32.0	48	38.1	9.5	20	107	10890	17.7	1810	27.4	9.13
C111	120.90	4.760	63.0	63.0	19.0	36.0	57	44.5	9.5	26	160	16330	26.4	2700	40.6	13.53
C131	78.11	3.075	47.3	42.8	16.0	32.0	28	38.0	9.5	40	107	10890	14.3	1460	35.1	11.7
C132	153.67	6.050	82.7	77.4	25.4	45.2	67	50.8	12.7	20	222	22680	37.0	3780	66.0	22.0

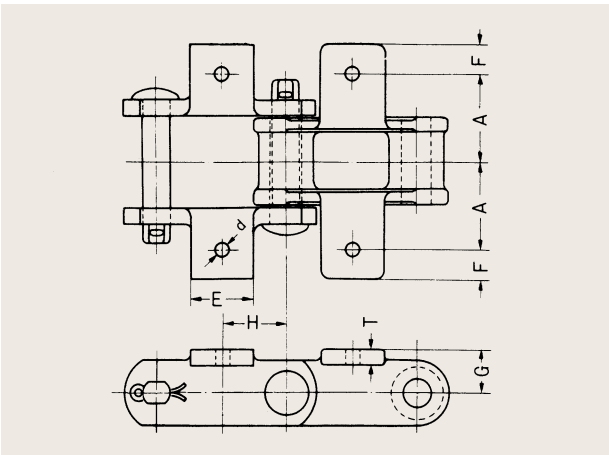
F-2 Attachments



Chain No.	Dimensions (mm)								Mass (kg)	
	A	d	F	H	K	M	N	T	1 Length	1 m
C131	42.8	11.0	27.0	54.0	23.8	59.5	18.3	8.0	44.9	14.97

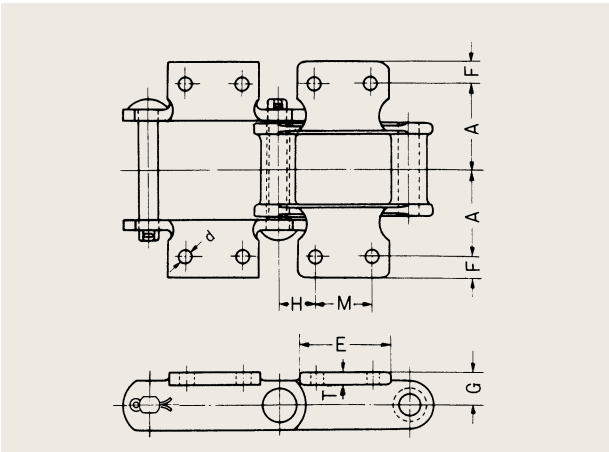
Note: 1. Masses indicated are for attachments mounted on block links every two pitches.
2. We only manufacture attachments for use inner blocks.

K-1 Attachments



Chain No.	Dimensions (mm)							Mass (kg)	
	A	d	E	F	G	H	T	1 Length	1 m
C131	52.4	11	38.1	17.5	25.4	38.1	9.5	41.98	13.99

K-2 Attachments



Chain No.	Dimensions (mm)								Mass (kg)	
	A	d	E	F	G	H	M	T	1 Length	1 m
C102B	67.5	11	71.5	17.0	25.4	28.6	44.5	9.5	40.8	13.6
C102 ^{1/2}	67.5	11	74.6	16.7	28.6	29.4	44.5	9.5	53.4	17.8
C110	67.5	11	73.0	16.7	25.4	54.0	44.5	9.5	36.4	12.13
C111	79.4	14	89.0	16.0	28.6	31.0	58.7	9.5	55.55	18.52
C131	52.0	14	67.0	14.0	25.0	19.8	38.0	9.5	36.1	12.03
C132	94.3	14	102.0	19.0	31.8	42.1	69.8	12.7	84.7	28.23