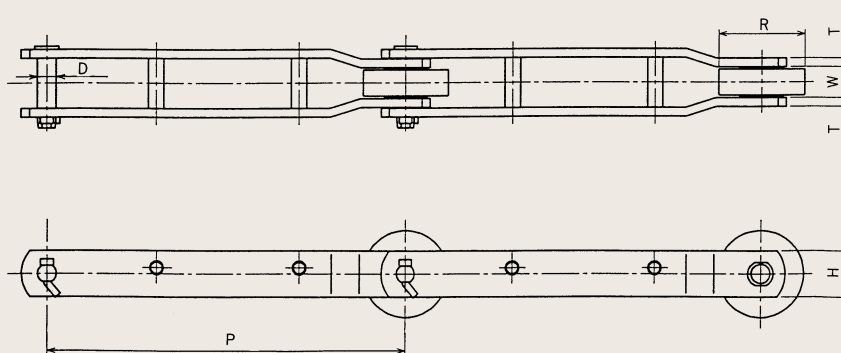


Chains for Water Treatment Systems

Carrying Chains

These are large offset-type bushed roller chains used in automatic debris removal equipment at the coolant water intakes of power stations. They incorporate various design features in materials, heat treatments and other aspects to enable use in sea water.



| Chain No. | Pitch P (mm) | Roller Dia. R (mm) | Inner Width W (mm) | Pin Dia. D (mm) | Link Plate | | Average Tensile Strength | | Mass (kg/m) |
|-----------|--------------|--------------------|--------------------|-----------------|---------------|------------------|--------------------------|-------|-------------|
| | | | | | Height H (mm) | Thickness T (mm) | (kN) | (kgf) | |
| HR60020R | 600 | 100 | 34.0 | 18.9 | 50.8 | 9.5 | 196 | 20000 | 11.7 |
| HR60025R | | 100 | 38.0 | 22.1 | 63.5 | 9.5 | 245 | 25000 | 14.3 |
| HR60040R | | 100 | 54.0 | 25.2 | 76.2 | 12.7 | 392 | 40000 | 23.3 |
| HR60050R | | 100 | 64.0 | 28.0 | 76.2 | 16.0 | 490 | 50000 | 28.3 |
| HR60063R | | 115 | 72.0 | 31.6 | 90.0 | 16.0 | 618 | 63000 | 35.8 |
| HR60080R | | 125 | 80.0 | 35.5 | 100 | 19.0 | 784 | 80000 | 48.3 |