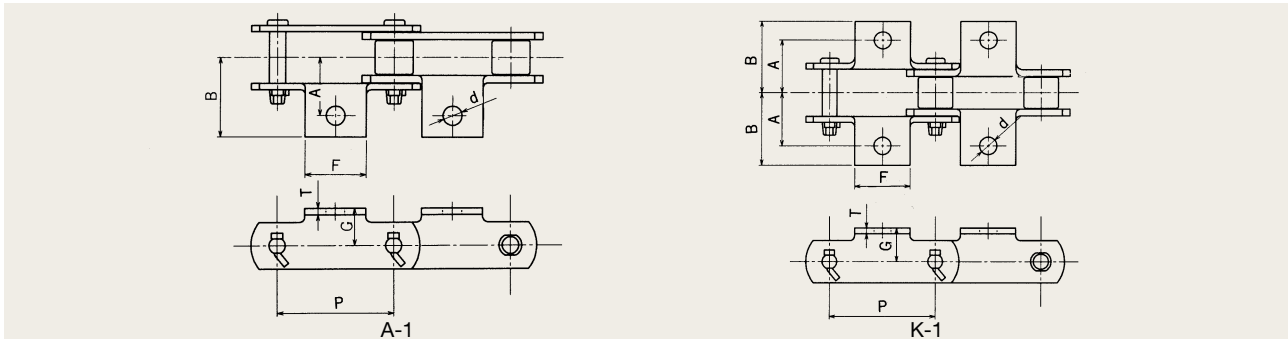


# Standard Conveyor Chains

## Standard Attachments

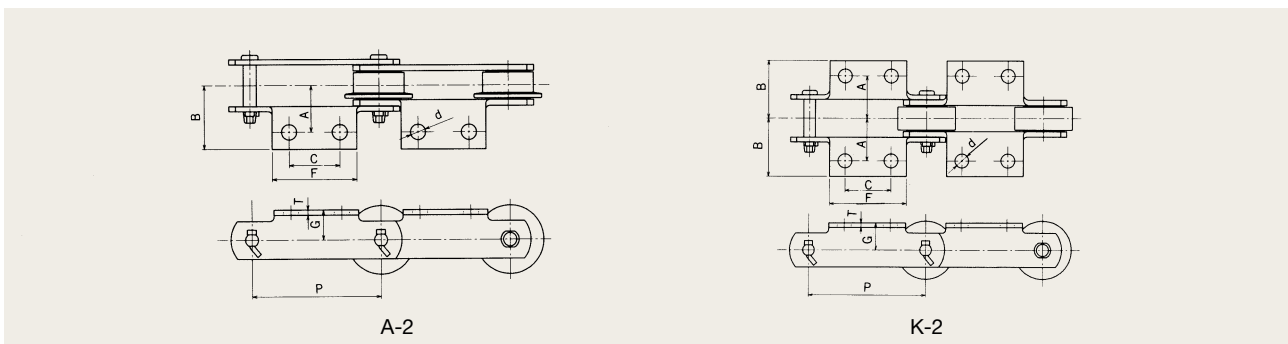
### HR-type and HRS-type Attachments

#### A-1, K-1 Attachment



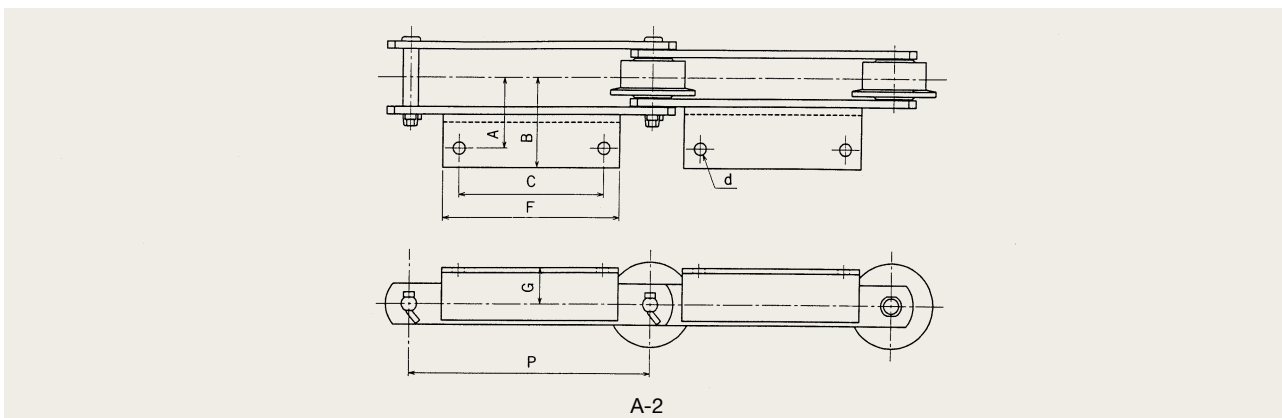
Chain No.	Pitch P (mm)	Dimensions (mm)						Added Mass Per Attachment (kg)	
		A	B	d	F	G	T	A-1	K-1
HR6608	66.27	45	64	12	35	24	6.3	0.10	0.20
HR7813	78.11	60	78.5	12	45	35	7.9	0.15	0.30

#### A-2, K-2 Attachment



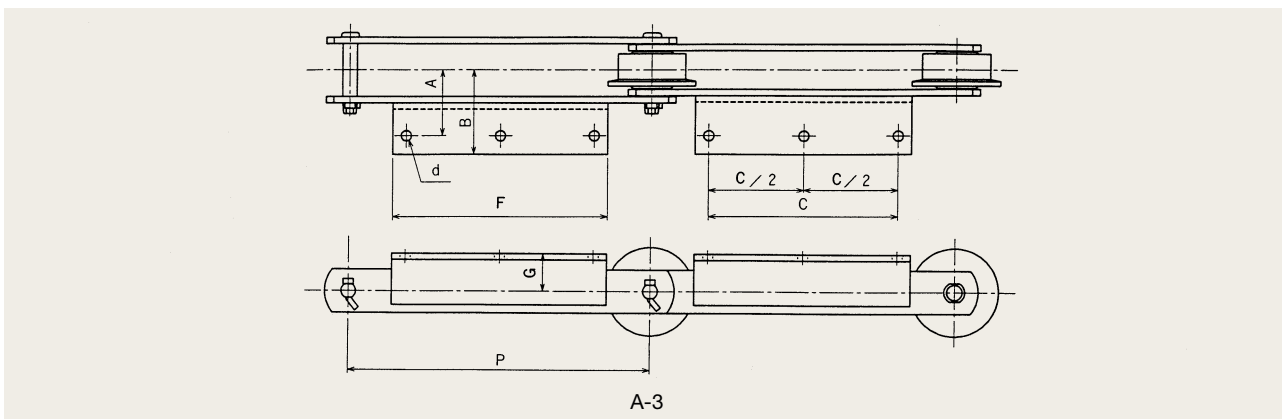
Chain No.	Pitch P (mm)	Dimensions (mm)							Added Mass per Attachment (kg)	
		A	B	C	d	F	G	T	A-2	K-2
HRS03075	75	30	46	30	10	55	20	3.2	0.05	0.10
HRS03100	100	30	46	40	10	65	20	3.2	0.06	0.12
HRS03150	150	30	46	60	10	85	20	3.2	0.07	0.14
HRS05075	75	35	56.5	30	10	58	22	4.5	0.07	0.14
HRS05100	100	35	56.5	40	10	65	22	4.5	0.08	0.16
HRS05150	150	35	56.5	60	10	85	22	4.5	0.10	0.20
HR7813	78.11	60	78.5	30	12	65	35	7.9	0.25	0.50
HR10105	101.6	40	59	40	12	70	22	4.8	0.15	0.30
HR10108	101.6	50	74	40	12	70	28	6.3	0.20	0.40
HR10113	101.6	55	76	40	15	80	35	7.9	0.30	0.60
HR15208	152.4	50	70	60	12	90	32	6.3	0.25	0.50
HR15215	152.4	60	81	60	15	100	38	7.9	0.40	0.80
HR15219	152.4	65	86	60	15	100	45	9.5	0.55	1.10
HR10011	100	50	74	40	12	70	28	6.3	0.18	0.36
HR15011	150	50	74	60	12	90	28	6.3	0.28	0.56
HR20015	200	60	81	80	15	120	38	7.9	0.50	1.00
HR20019	200	75	96	80	15	118	45	9.5	0.65	1.30
HR25015	250	60	81	125	15	170	38	7.9	0.70	1.40
HR25019	250	75	96	125	15	168	45	9.5	0.90	1.80

### A-2 Attachment



Chain No.	Pitch P (mm)	Dimensions (mm)						Angle Used (mm)	Added Mass per Attachment (kg)
		A	B	C	d	F	G		
HR30019	300	75	110.5	180	15	220	45	L65×65×6	1.35
HR30026	300	80	123.4	180	15	220	55	L75×75×9	2.20

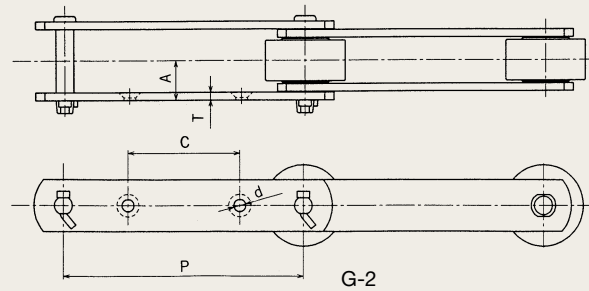
### A-3 Attachment



Chain No.	Pitch P (mm)	Dimensions (mm)						Angle Used (mm)	Added Mass per Attachment (kg)
		A	B	C	d	F	G		
HR45026	450	80	123.4	280	15	320	55	L75×75×9	3.30
HR45048	450	100	159.6	280	19	320	70	L100×100×10	5.10
HR60048	600	100	159.6	360	19	410	70	L100×100×10	6.30

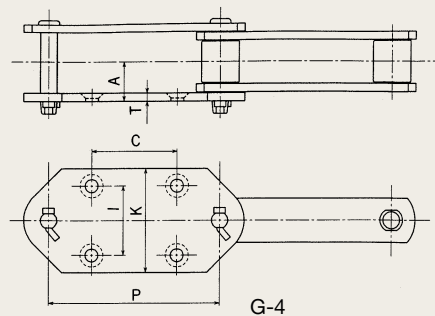
# Standard Conveyor Chains

## G-2 Attachment



Chain No.	Pitch P (mm)	Dimensions (mm)			
		A	d	C	T
HR10105	101.6	21.0	10.0	45	4.8
HR10108	101.6	26.5	12.0	35	6.3
HR15208	152.4	28.1	12.0	60	6.3
HR10011	100.0	28.1	12.0	35	6.3
HR15011	150.0			60	
HR10113	101.6	32.3	12.0	35	7.9
HR15215	152.4			50	
HR20015	200.0	35.0	15.0	80	7.9
HR25015	250.0			125	
HR20019	200.0			70	
HR25019	250.0	45.5	15.0	110	9.5
HR30019	300.0			150	
HR30026	300.0	48.4	15.0	140	9.5
HR45026	410.0			220	
HR45048	410.0			220	
HR60048	600.0	59.6	19.0	300	12.7
HR41054	450.0			220	
HR60054	600.0	71.6	22.0	300	16.0

## G-4 Attachment



Chain No.	Pitch P (mm)	Dimensions (mm)						Added Mass per Attachment (kg)
		A	C	d	l	K	T	
HR15208	152.4	28.1	75	12	70	110	6.3	0.49
HR15011	150	28.1						0.48
HR15215	152.4		75		70	110		0.52
HR20015	200	35.0	100	15	70	110	7.9	0.84
HR25015	250		140		100	150		1.55
HR15219	152.4	38.4	75		70	110		0.66
HR20019	200	45.5	100	15	80	120	9.5	0.90
HR25019	250	45.5	140		100	150		1.70
HR20026	200		100		80	120		0.90
HR25026	250	48.4	140	15	100	150	9.5	1.43
HR30026	300		180		100	150		1.99
HR25048	250		140		100	150		1.50
HR30048	300	59.6	180	19	100	150	12.7	2.40